

# RESET CALL POINT - DOUBLE POLE CHANGEOVER SERIES 11

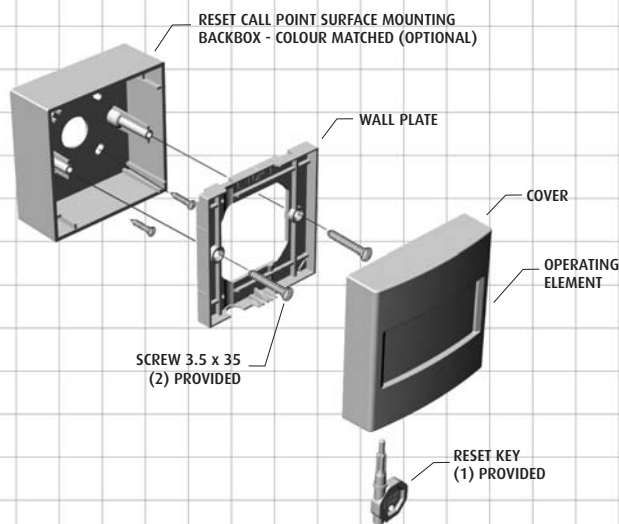


## FEATURES

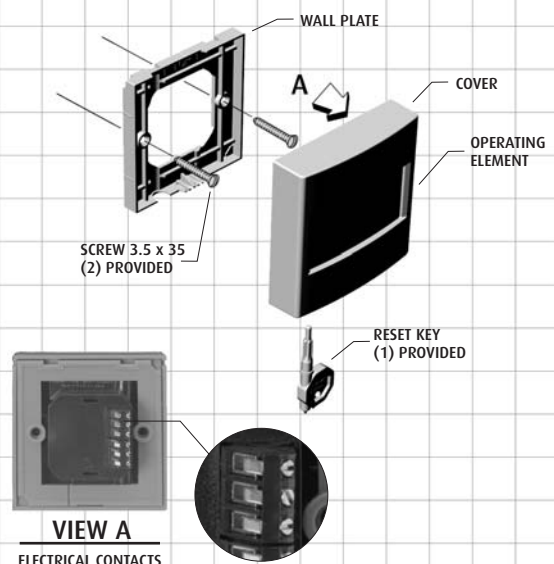
- Glass appearance maintains operator deterrence
- Positive activation that mimics the feel of breaking glass
- Visible warning flag confirms activation
- Simple key to reset operating element - no broken glass
- No glass elements to break, lose or incorrectly fit during installation
- Complete functional test with every activation
- Extremely attractive, high value look and feel
- Low profile, heavy-duty terminations
- Available in five colours

## ▼ ReSet components and technical information

### SURFACE MOUNTED



### FLUSH MOUNTED

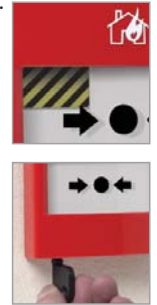


## STI RESET CALL POINT

The 'ReSet' is a unique manual call point that mimics the feel of breaking glass whilst offering the user the benefits and environmental advantages of a re-settable operating element.

The 'ReSet' uses a simple yet ingenious patented mechanism which consists of a rigid plastic operating element and an over centre spring mechanism. This arrangement provides real action on operation and simulates break glass activation.

An activation indicator drops into view at the top of the window after the 'ReSet' has been operated. The unit is then simply reset with a key and is ready for re-use straight away.

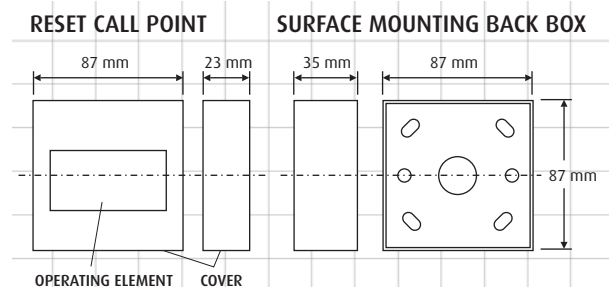


## APPLICATIONS

The 'ReSet' call point is compatible with most fire and security alarm systems. It is safe for use in areas where glass cannot be used, e.g. food processing plants and swimming/leisure centres.

As the unit can be simply reset it provides an ideal solution for areas that suffer from a high number of false activations such as schools, shopping centres and other public places.

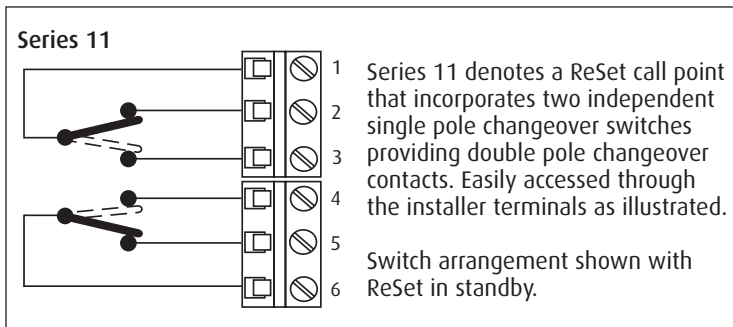
## DIMENSIONS



# SPECIFICATION

Technical Specification	
Current Rating	3 Amps 12 - 24V DC 3 Amps 125 - 250V
Housing and Mounting Box Material	Polycarbonate
Electrical Contact Material	Silver plated brass
Operating Temperature	-20°C to +65°C
Installation Terminal Conductor Size	0.5mm - 2.5mm
Colours	Red, Yellow, Green Blue and White
Mounting	Flush or surface with back box

## ELECTRICAL ARRANGEMENT



## ACCESSORIES

The ReSet is available in five different colours – red, green, blue, yellow and white - providing for a diverse range of applications. In addition the call point is available with a housing that incorporates an integral cover.



This complements both the STOPPER and Mini STOPPER products, which provide call point protection - the covers help to stop malicious or accidental fire alarms. With the new integral cover and STOPPER options there are now three levels of protection available, appropriate for any environment.



## THE RESET CALL POINT RANGE

Other models are available in the ReSet range.

For further details on Series 01 -04, please contact us.

